

CASTOR



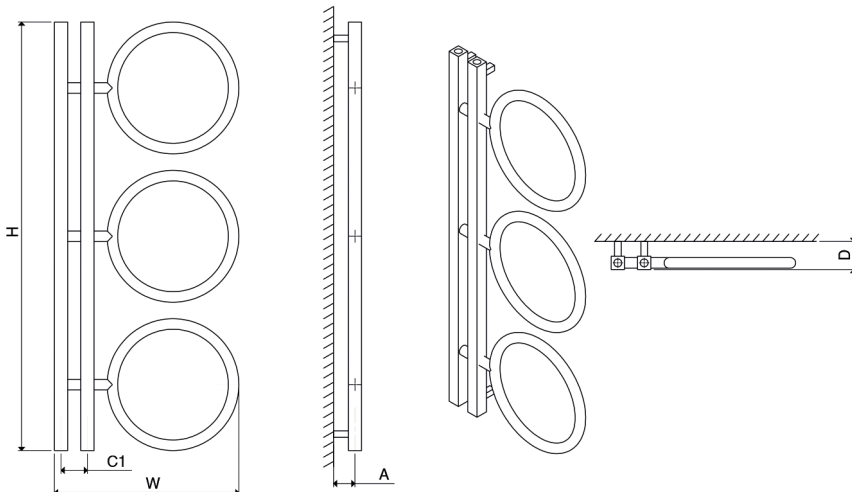
CASTOR

| Material | Stock Finishes | Guarantee | Installation |
|-----------------|---|-----------|--------------|
| Stainless Steel | PLS SEE COLOUR KEY CHART - Click for Link | 20 Years | Vertical |

| PRODUCT CODE | Height (mm) H | Width (mm) W | Sections n | Pipe Centers (mm) C1 | Wall to pipe Centers A (mm) | Wall Distance D (mm) | Nett Weight (kg) | Water Content (lt) | Fuel Type | Heat Outputs | |
|----------------|------------------|-----------------|---------------|-------------------------|--------------------------------|-------------------------|------------------|--------------------|-----------|--------------|------|
| | | | | | | | | | | Watts | BTU |
| CAS 0560085002 | 850 | 560 | 2 | 80 | 60-75 | 75-90 | 4.2 | 2.3 | D | 411 | 1403 |
| CAS 0560130003 | 1300 | 560 | 3 | 80 | 60-75 | 75-90 | 5.2 | 2.8 | D | 427 | 1457 |
| CAS 0560175004 | 1750 | 560 | 4 | 80 | 60-75 | 75-90 | 6.2 | 3.2 | D | 756 | 2578 |

Please add finishing code at the end of the product code **Code example : CAS 0560085002 MRP**

Fuel type i.e
 C: Central Heating
 E: Electrical Heating
 D: Dual Heating (C+E)



A full range of made to order sizes available.

Please ask for details.

n = number of sections

Max. working pressure

10 bar

Max. working temperature

95 °C

Connections

½"

Pipe center

C1

80 mm