

MISTRAL



carisa
designer radiators

MISTRAL

Material
Stainless Steel

Stock Finishes
[PLS SEE COLOUR KEY CHART - Click for Link](#)

Guarantee
20 Years

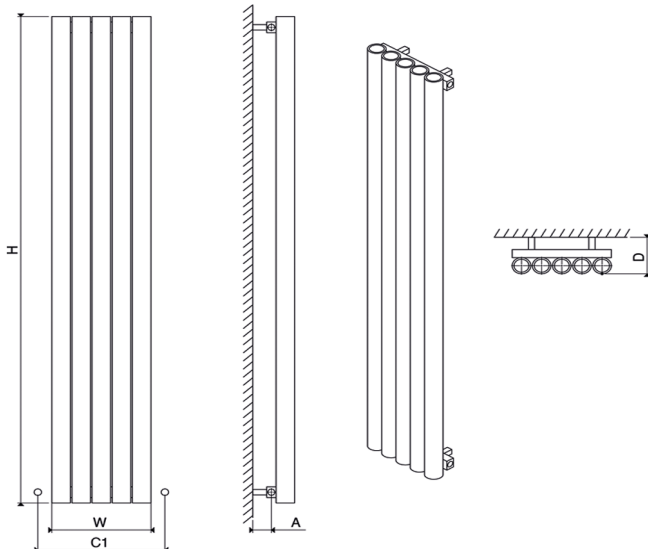
Installation
Vertical

PRODUCT CODE	Height (mm)	Width (mm)	Sections	Pipe Centers (mm)	Wall to pipe Centers	Wall Distance	Nett Weight	Water Content	Fuel Type	Heat Outputs	
	H	W	n	C1	A (mm)	D (mm)	(kg)	(lt)		Watts	BTU
MIS 0320180005	1800	320	5	410	60-75	135-150	33.1	7.7	C	873	2978
MIS 0385180006	1800	385	6	475	60-75	135-150	39.7	9.3	C	1048	3577
MIS 0450180007	1800	450	7	540	60-75	135-150	46.3	10.9	C	1220	4164

Please add finishing code at the end of the product code

Code example : MIS 0320180005 MRP

Fuel type i.e
C: Central Heating
E: Electrical Heating
D: Dual Heating (C+E)



A full range of made to order sizes available.

Please ask for details.

n = number of sections

Working pressure (max.)

10 bar

Working temperature (max.)

95 °C

Connections

½"

Pipe centers

C1

W+90mm