

# WARWICK



# WARWICK

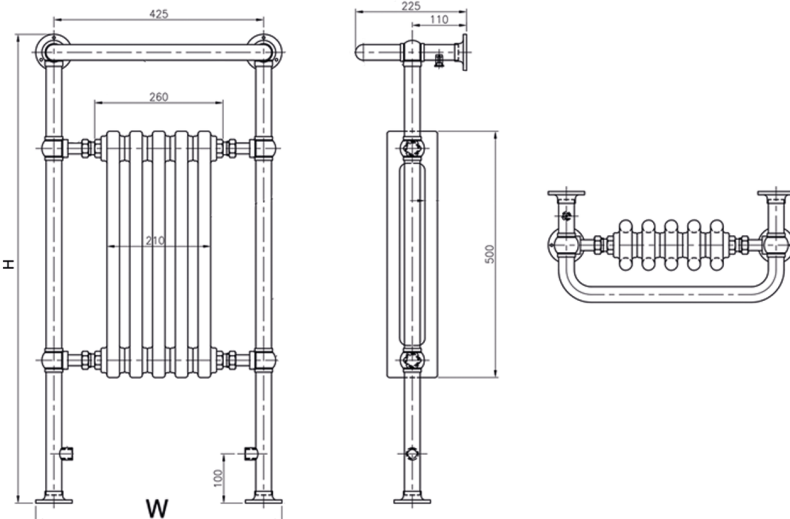
Material	Stock Finishes	Guarantee	Installation
Mild Steel	<a href="#">PLS SEE COLOUR KEY CHART-Click for Link</a>	5 Years	Vertical

PRODUCT CODE	Height (mm)	Width (mm)	Sections	Pipe Centers (mm)	Wall to pipe Centers	Wall Distance	Nett Weight	Water Content	Fuel Type	Heat Outputs	
	H	W	n	C1	A (mm)	D (mm)	(kg)	(lt)		Watts	BTU
WAR 0500094005	940	500	5	260	110	225	15	-	C	1094	3732

Please add finishing code at the end of the product code

Code example : WAR 050094005 CHR

Fuel type i.e  
 C: Central Heating  
 E: Electrical Heating  
 D: Dual Heating (C+E)



Please ask for details.

Max. working pressure

10 bar

Max. working temperature

95 °C

Connections

½"